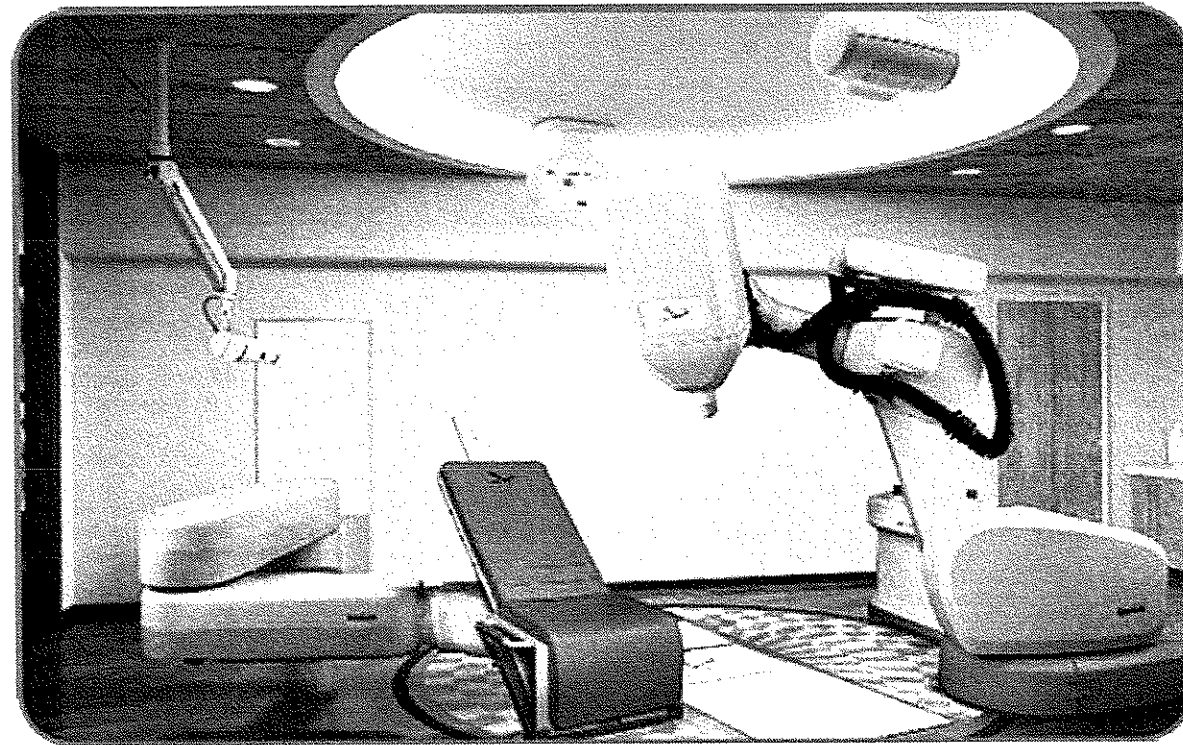


FIRST DAYTON CANCER CARE

KETTERING, OH USA



CYBERKNIFE® ROBOTIC RADIOSURGERY SYSTEM



ACCURAY®

Our Business Begins with Patients™

SHEET INDEX

SHEET	TITLE
CK-A1	EQUIPMENT & FLOOR CLEARANCE PLAN
CK-A2	SECTION & CEILING CLEARANCE PLAN
CK-N1	I.T. NETWORK PLAN
CK-E1	CONDUIT PLAN
CK-E2	SCHEDULES & NOTES
CK-E3	ELECTRICAL DETAILS & NOTES
CK-E4	EQUIPMENT DETAILS
CK-S1	PRE-INSTALLATION FLOOR PIT PLAN
CK-S2	BUNKER / PIT ISOMETRIC
CK-S3	LOWER SLAB REBAR PLAN & DETAILS
CK-S4	PIT INFILL REBAR PLAN & DETAILS

ACCURAY CONTACT INFORMATION

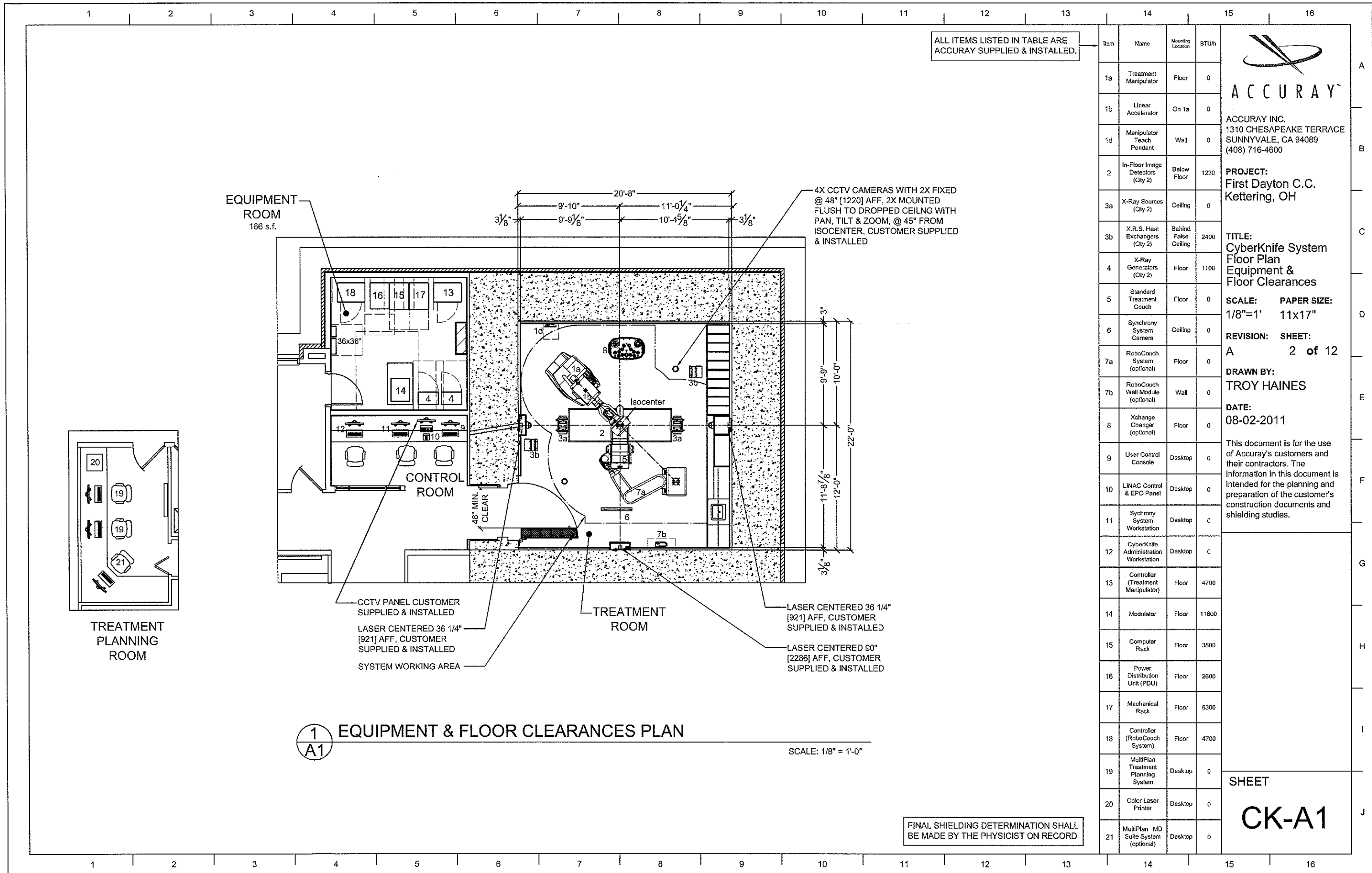
DESIGNER: TROY HAINES TEL: +1.651.324.8758 EMAIL: THAINES@ACCURAY.COM SITE PLANNER: TROY HAINES TEL: +1.651.324.8758 EMAIL: THAINES@ACCURAY.COM	REGIONAL MANAGER: LINDA MAYNARD TEL: +1.317.362.7592 EMAIL: LMAYNARD@ACCURAY.COM ACCURAY WORLDWIDE HEADQUARTERS 1310 CHESAPEAKE TERRACE SUNNYVALE, CA 94089 USA TEL: 1.888.522.3740
--	---

ISSUE DATE

08-02-11 A

CONSTRUCTION TYPE

A3 - ADD-ON VAULT III: CK SUITE PLUS OTHER AREAS ARE NEW ADD-ON CONSTRUCTION



ALL ITEMS LISTED IN TABLE ARE ACCURAY SUPPLIED & INSTALLED.

Item	Name	Mounting Location	BTU/h
1a	Treatment Manipulator	Floor	0
1b	Linear Accelerator	On 1a	0
1d	Manipulator Teach Pendant	Wall	0
2	In-Floor Image Detectors (Qty 2)	Below Floor	1230
3a	X-Ray Sources (Qty 2)	Ceiling	0
3b	X.R.S. Heat Exchangers (Qty 2)	Behind False Ceiling	2400
4	X-Ray Generators (Qty 2)	Floor	1100
5	Standard Treatment Couch	Floor	0
6	Synchrony System Camera	Ceiling	0
7a	RoboCouch System (optional)	Floor	0
7b	RoboCouch Wall Module (optional)	Wall	0
8	Xchange Changer (optional)	Floor	0
9	User Control Console	Desktop	0
10	LINAC Control & EPO Panel	Desktop	0
11	Synchrony System Workstation	Desktop	0
12	CyberKnife Administration Workstation	Desktop	0
13	Controller (Treatment Manipulator)	Floor	4700
14	Modulator	Floor	11600
15	Computer Rack	Floor	3800
16	Power Distribution Unit (PDU)	Floor	2600
17	Mechanical Rack	Floor	6300
18	Controller (RoboCouch System)	Floor	4700
19	MultiPlan Treatment Planning System	Desktop	0
20	Color Laser Printer	Desktop	0
21	MultiPlan MD Suite System (optional)	Desktop	0

ACCURAY™
 ACCURAY INC.
 1310 CHESAPEAKE TERRACE
 SUNNYVALE, CA 94089
 (408) 716-4600

PROJECT:
 First Dayton C.C.
 Kettering, OH

TITLE:
 CyberKnife System
 Floor Plan
 Equipment &
 Floor Clearances

SCALE: PAPER SIZE:
 1/8"=1" 11x17"

REVISION: SHEET:
 A 2 of 12

DRAWN BY:
 TROY HAINES

DATE:
 08-02-2011

This document is for the use of Accuray's customers and their contractors. The information in this document is intended for the planning and preparation of the customer's construction documents and shielding studies.

SHEET
CK-A1

1
A1 **EQUIPMENT & FLOOR CLEARANCES PLAN**

SCALE: 1/8" = 1'-0"

FINAL SHIELDING DETERMINATION SHALL BE MADE BY THE PHYSICIST ON RECORD



ACCURAY™

ACCURAY INC.
1310 CHESAPEAKE TERRACE
SUNNYVALE, CA 94089
(408) 716-4600

PROJECT:
First Dayton C.C.
Kettering, OH

TITLE:
CyberKnife System
Floor Plan
Section & Ceiling
Clearances Plan

SCALE: PAPER SIZE:
1/8"=1' 11x17"

REVISION: SHEET:
A 3 of 12

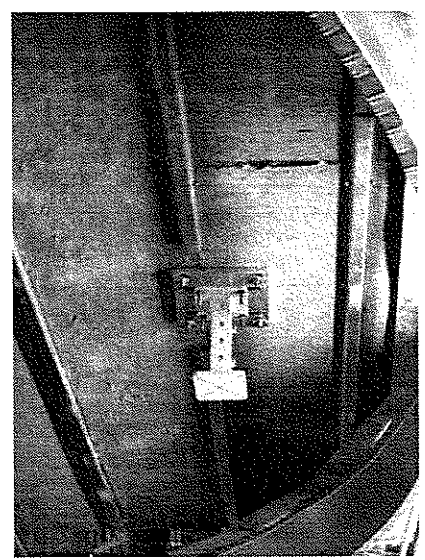
DRAWN BY:
TROY HAINES

DATE:
08-02-2011



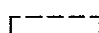
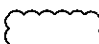
This document is for the use
of Accuray's customers and
their contractors. The
information in this document is
intended for the planning and
preparation of the customer's
construction documents and
shielding studies.

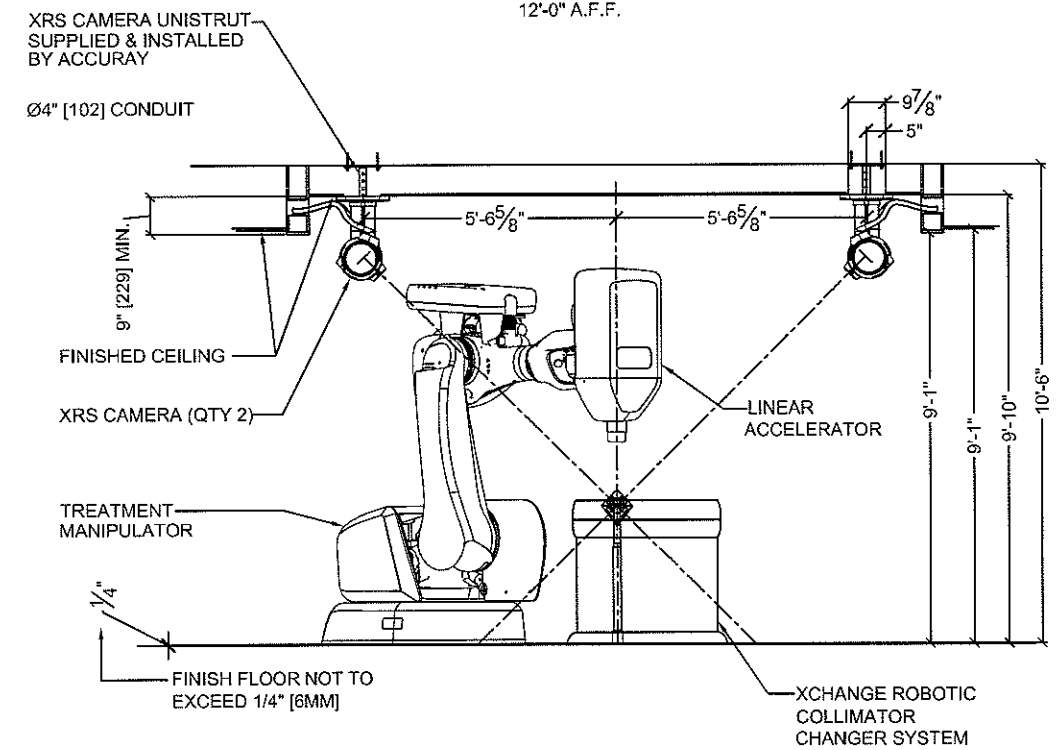
SHEET

CK-A2



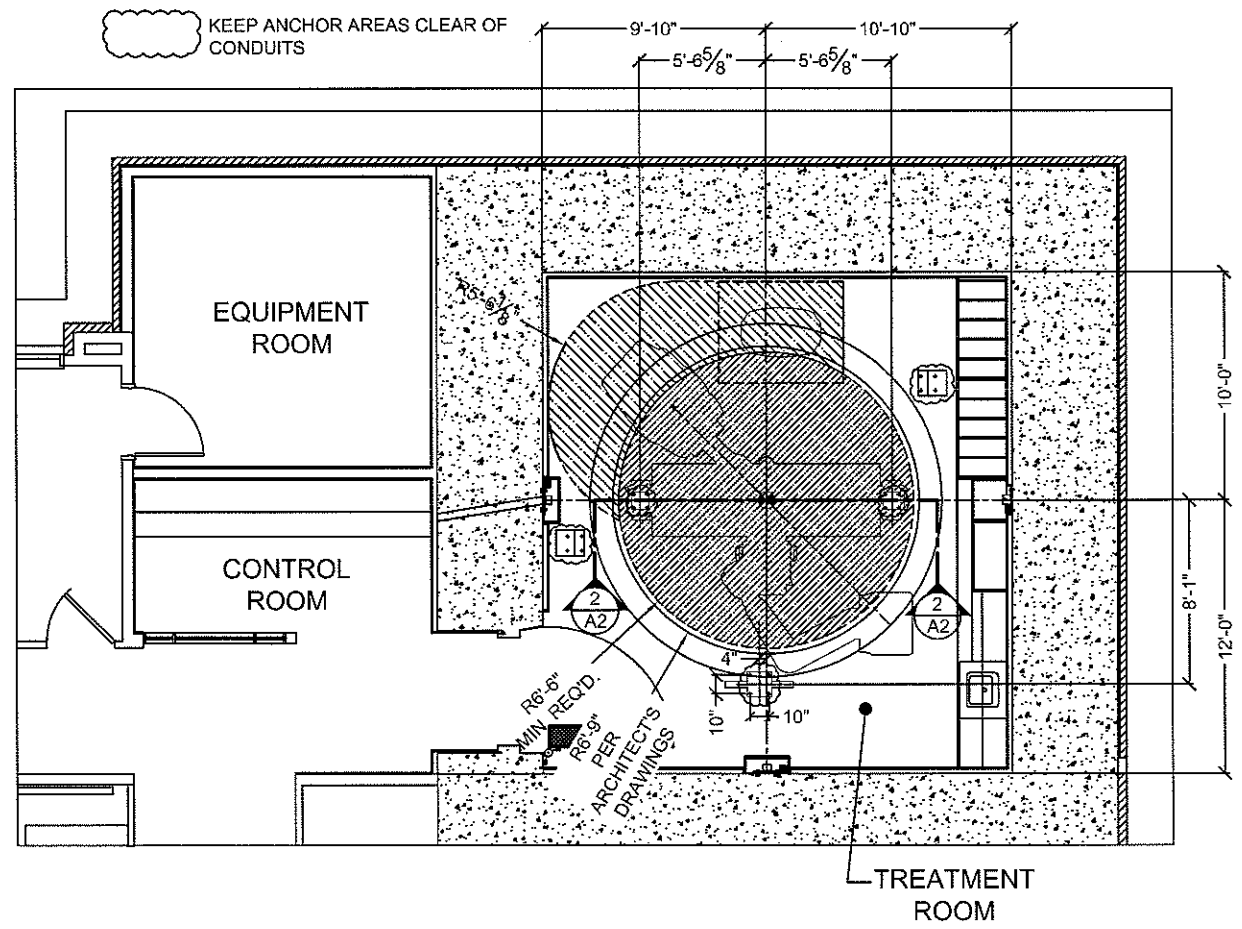
STANDARD CAMERA UNISTRUT
REQUIRED IF CEILING
HEIGHT IS UNDER
12'-0" A.F.F.

-  MINIMUM CEILING HEIGHT 9'-10" [2997mm]
-  MINIMUM CEILING HEIGHT 9' [2743mm]
-  DUE TO LIGHT SENSITIVITY, NO
DIRECT LIGHTING ABOVE, EXTENDED
1'-2" ABOUT XCHANGE PERIMETER
-  KEEP ANCHOR AREAS CLEAR OF
CONDUITS



2 SECTION 2-2
A2

SCALE: 1/4" = 1'-0"

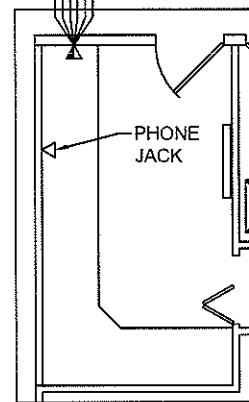


1 CEILING CLEARANCES PLAN
A2

SCALE: 1/8" = 1'-0"

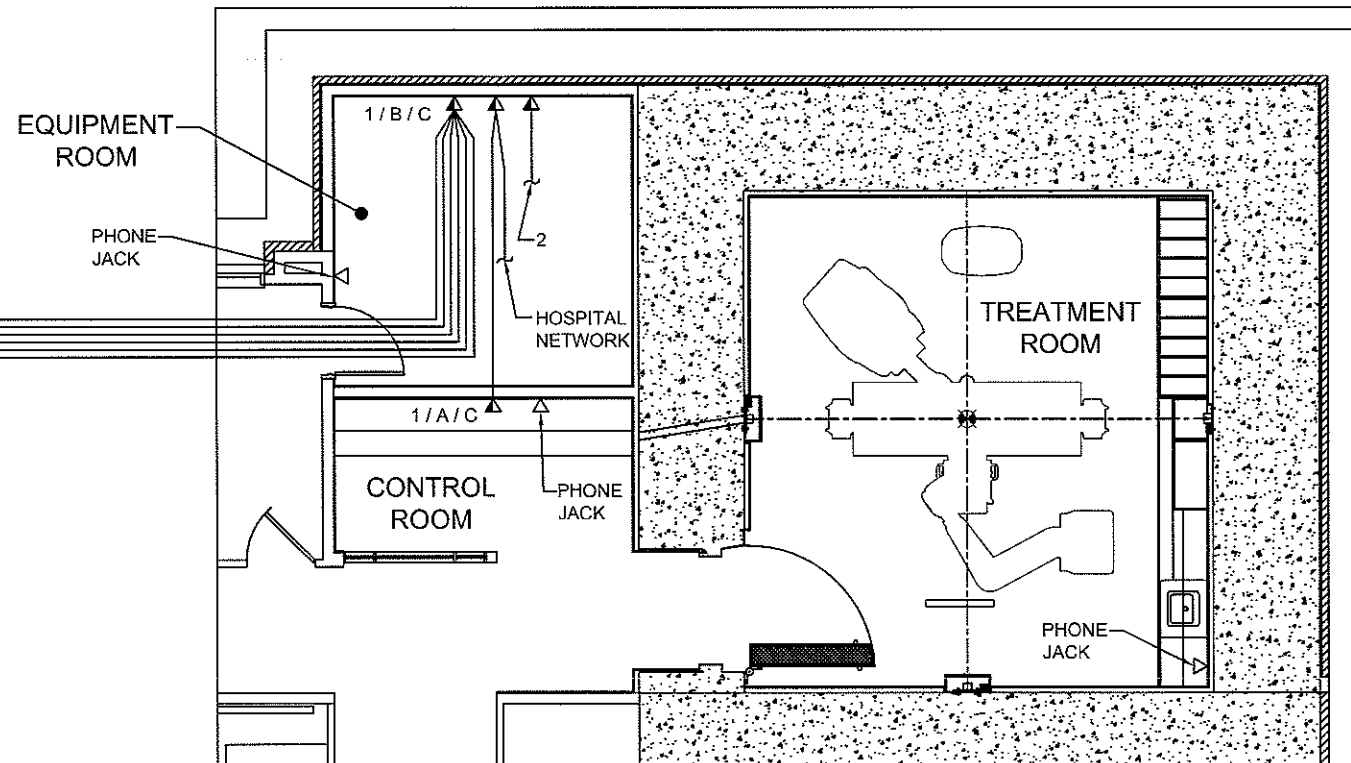
1 2 3 4 5 6 7 8 9 10 11 12 13 14 15 16

1. HOSPITAL NETWORK
2. CONNECTION TO FACILITY NETWORK, CT, MRI, PET AND ANGIO IMAGE DATA WILL ACCESS CYBERKNIFE THROUGH THIS DATA CONNECTION, RECOMMENDED 1GBPS (1000 MPBS)
3. CISCO 2821 ROUTER/FIREWALL IN COMPUTER RACK
4. MINIMUM OF 6, RECOMMENDED 8 DIRECT CONNECTIONS FOR MULTIPLANS, MD SUITE, CYBERKNIFE ADMINISTRATIVE WORKSTATION, PRINTER AND FUTURE UPGRADES
5. NETWORK CONNECTIONS TO THE HOSPITALS COMPUTER NETWORK ARE NECESSARY AT THE FOLLOWING LOCATIONS
 - A. THE WORK STATION AT THE CONTROL AREA
 - B. THE COMPUTER RACK IN THE EQUIPMENT ROOM
 - C. FIELD SERVICE PORT
6. USE CAT-6 CABLE FOR WIRING FOR 1GBPS (1000 MBPS) CONNECTIVITY
7. REQUIRED 3 STATIC IP ADDRESSES FOR:
 - TREATMENT NETWORK
 - FIREWALL MANAGEMENT
 - FIELD SERVICE CONNECTIVITY
8. INTERNET ACCESS FOR TRANSFERRING LOG FILES AND MORE DIAGNOSTICS REQUIRES THE FOLLOWING TCP OUTBOUND PORTS
 - HTTP (80)
 - LFTU FOR FTP/FTPS (443, 990, 2000 - 2011)
 - 66.151.158.183 www.gotomypc.com
 - 66.151.158.177 poll.gotomypc.com
 - 216.115.210.200 www.gotoassist.com
 - 216.115.210.202 broker.gotoassist.com
 - # Axeda Enterprise Server
 - 209.202.167.23 PORT 443 to www.cyberknifeaccess.com
 - # VeriSign Certificate Authority
 - 65.205.249.60 www.verisign.com
 - # Axeda Global Access Servers (GAS)
 - 209.202.157.179 Ghson1.axeda.com
 - 89.234.8.217 Ghuk1.axeda.com
 - 124.40.23.210 Ghjap1.axeda.com
 - 198.66.245.39 Ghsj1.axeda



TREATMENT PLANNING ROOM

NOTE:
 RUN NETWORK CONNECTIONS
 TO ACCURAY EQUIPMENT
 RACK #15 LOCATION. SEE
 SHEET CK-A1 FOR LOCATION.



1
N1

I.T. NETWORK PLAN

SINGLE NETWORK PLAN

SCALE: 1/8" = 1'-0"



ACCURAY™

ACCURAY INC.
 1310 CHESAPEAKE TERRACE
 SUNNYVALE, CA 94089
 (408) 716-4600

PROJECT:
 First Dayton C.C.
 Kettering, OH

TITLE:
 CyberKnife System
 Floor Plan
 CyberKnife I.T.
 Network Plan

SCALE: PAPER SIZE:
 1/8"=1' 11x17"

REVISION: SHEET:
 A 4 of 12

DRAWN BY:
 TROY HAINES

DATE:
 08-02-2011

This document is for the use of Accuray's customers and their contractors. The information in this document is intended for the planning and preparation of the customer's construction documents and shielding studies.

SHEET

CK-N1

1 2 3 4 5 6 7 8 9 10 11 12 13 14 15 16

ALL EQUIPMENT NOTED TO BE SUPPLIED & INSTALLED BY ELECTRICAL CONTRACTOR UNLESS OTHERWISE NOTED.



ACCURAY INC.
1310 CHESAPEAKE TERRACE
SUNNYVALE, CA 94089
(408) 716-4600

PROJECT:
First Dayton C.C.
Kettering, OH

TITLE:
CyberKnife System
Electrical Plan
Conduit Plan

SCALE: PAPER SIZE:
1/8"=1' 11x17"

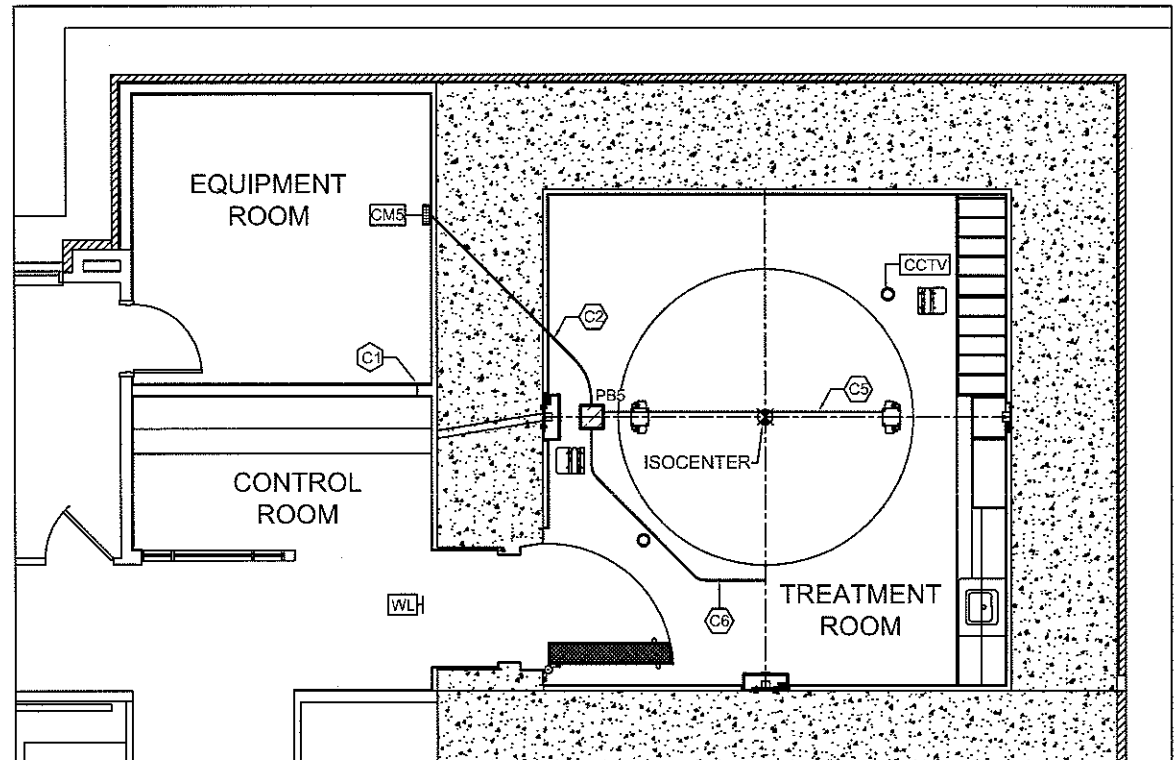
REVISION: SHEET:
A 5 of 12

DRAWN BY:
TROY HAINES

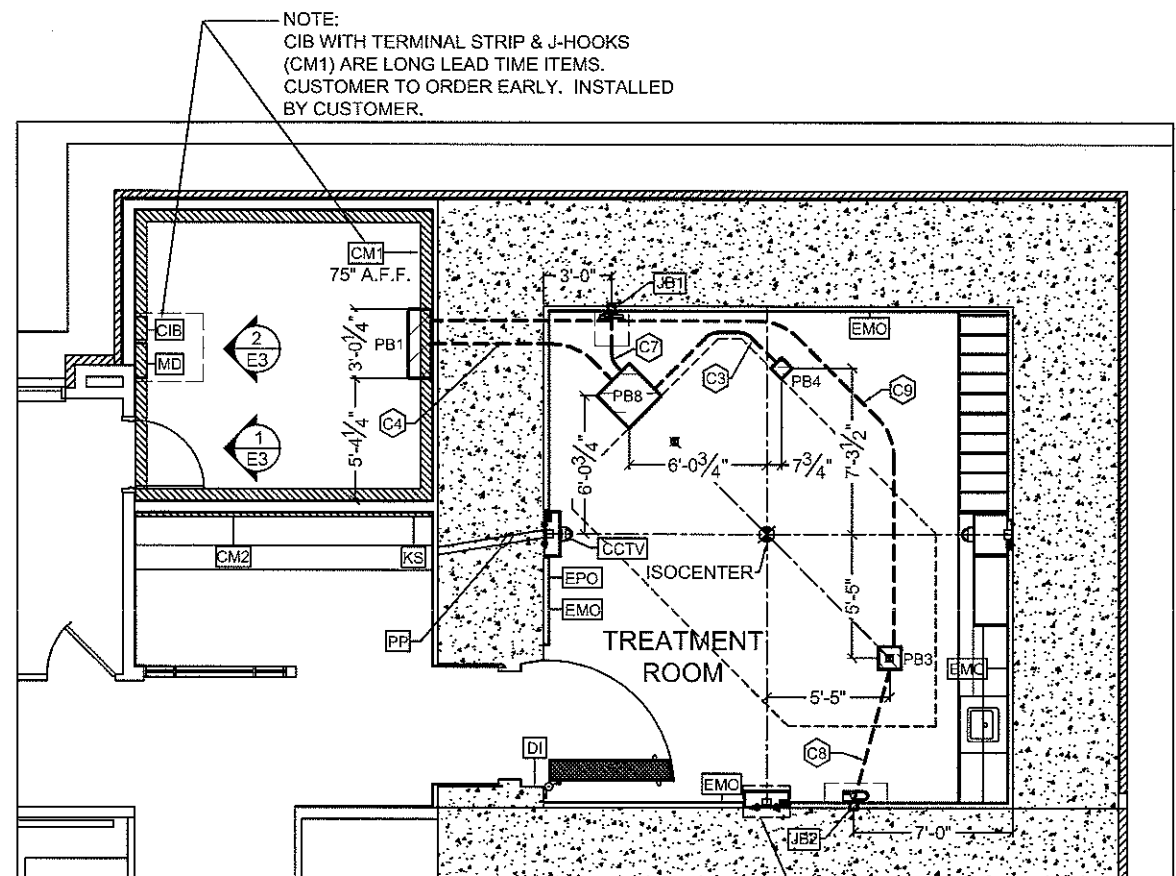
DATE:
08-02-2011

This document is for the use of Accuray's customers and their contractors. The information in this document is intended for the planning and preparation of the customer's construction documents and shielding studies.

SHEET
CK-E1



2 CEILING CONDUIT PLAN
E1 SCALE: 1/8" = 1'-0"



1 FLOOR & WALL CONDUIT PLAN
E1 SCALE: 1/8" = 1'-0"

NOTES:
1) SEE SHEET CK-E2 FOR LEGEND & ADDITIONAL NOTES.
2) IT IS THE RESPONSIBILITY OF THE ARCHITECT/ENGINEER TO DETERMINE ACTUAL CONDUIT LAYOUT. CONDUIT LAYOUT TO BE APPROVED BY THE ACCURAY SITE PLANNER.
3) PULL STRINGS REQUIRED IN ALL CONDUITS.

4) J-HOOK SYSTEM AND OTHER CABLE MANAGEMENT SYSTEMS TO BE APPROVED BY THE ACCURAY SITE PLANNER.
5) REFER TO THE SUB BASE PLAN PRIOR TO INSTALLING ANY IN-FLOOR CONDUITS.

6) ALL CRITICAL DIMENSIONS TAKEN OFF OF ISOCENTER. CONDUIT RADIUS NOTES:
1) ALL 6" CONDUIT REQUIRES A MINIMUM 2'-6" RADIUS.
2) ALL 4" CONDUIT REQUIRES A MINIMUM 1'-4" RADIUS.
3) ALL 2" CONDUIT REQUIRES A MINIMUM 9 1/2" RADIUS.
4) ALL 1-1/2" CONDUIT REQUIRES A MINIMUM 8 1/2" RADIUS.

NOTE:
CIB WITH TERMINAL STRIP & J-HOOKS (CM1) ARE LONG LEAD TIME ITEMS. CUSTOMER TO ORDER EARLY. INSTALLED BY CUSTOMER.

SEE TYPICAL LASER DETAIL 5/CK-E3

ALL EQUIPMENT NOTED TO BE SUPPLIED & INSTALLED BY ELECTRICAL CONTRACTOR UNLESS OTHERWISE NOTED.

COMPONENT/EQUIPMENT LEGEND

- [DI]** DOOR INTERLOCK SWITCH. HOSPITAL GRADE.
- [KS]** DOOR OVERRIDE KEYLOCK SWITCH. ACCURAY SUPPLIES THE KEY, SWITCH MECHANISM AND LABEL. ELECTRICAL CONTRACTOR TO SUPPLY SINGLE GANG BOX, STAINLESS STEEL COVER WITH 7/8" [25] HOLE PUNCHED IN CENTER, CONDUIT, WIRING & INSTALLATION. TO BE INSTALLED BY ELECTRICAL CONTRACTOR.
- [EPO]** EMERGENCY POWER OFF SWITCH. HOSPITAL GRADE. ACCURAY SUPPLIES THE SWITCH MECHANISMS, PUSHBUTTONS AND LABELS. ELECTRICAL CONTRACTOR TO SUPPLY SINGLE GANG BOXES, COVERS, CONDUITS, WIRING AND INSTALLATION. BOXES TO BE PLACED AT 48" [1220] A.F.F. COVERS TO BE SINGLE GANG STAINLESS STEEL WITH 7/8" [25] HOLE PUNCHED IN CENTER.
- [EMO]** EMERGENCY STOP MUSHROOM SWITCH. HOSPITAL GRADE. ACCURAY SUPPLIES THE SWITCH MECHANISMS, PUSHBUTTONS AND LABELS. ELECTRICAL CONTRACTOR TO SUPPLY SINGLE GANG BOXES, COVERS, CONDUITS, WIRING AND INSTALLATION. BOXES TO BE PLACED AT 48" [1220] A.F.F. COVERS TO BE SINGLE GANG STAINLESS STEEL WITH 7/8" [25] HOLE PUNCHED IN CENTER.
- [MD]** MAIN POWER DISCONNECT. 480 VAC, 3-PHASE, 100 AMPS, 55 kVA. ACCURAY WILL SUPPLY AND INSTALL POWER CABLE FROM MD TO PDU, ALL OTHER WORK AND MATERIALS BY THE ELECTRICAL CONTRACTOR. CONTACT SITE PLANNER IF 480 VAC SPECIFICATION CAN NOT BE ACHIEVED.
- [CIB]** CUSTOMER INTERFACE JUNCTION BOX. 12" x 12" x 4" [300 x 300 x 100] MIN. ELECTRICAL WALL BOX WITH AN 18 TO 20 POINT TERMINAL STRIP. ELECTRICAL CONTRACTOR TO RUN ALL WIRING TO ONE SIDE OF TERMINAL STRIP. ACCURAY WILL INSTALL THE WIRING ON THE OPPOSITE SIDE TO THE EMERGENCY CIRCUITRY (ESCC) WITHIN THE CYBERKNIFE SYSTEM. SEE WIRING DIAGRAM ON SHEET 7. CIB & TERMINAL STRIP PROVIDED & INSTALLED BY THE ELECTRICAL CONTRACTOR, WIEGMANN SC121204NK, <http://www.hubbell-wiegmann.com/files/catalog/Wiegmann2009.pdf>.
- [WL]** RADIATION/X-RAY WARNING LIGHT. ELECTRICAL CONTRACTOR TO VERIFY IF ADDITIONAL LIGHTS ARE REQUIRED BY GOVERNMENT REGULATORY AGENCIES.
- [PP]** Ø4" [100] PHYSICS PORT CONDUIT THRU WALL AT 45° VERTICAL & 45° HORIZONTAL.
- [CCTV]** CLOSED CAPTION TV CAMERAS. FOUR CAMERAS RECOMMENDED - 2 AT CEILING, 2 AT OPPOSITE WALLS (48" A.F.F. TO LENS). ALL CAMERAS SHOULD HAVE PAN/ZOOM CAPABILITIES. CCTV IS NOT INCLUDED WITH THE CYBERKNIFE SYSTEM.
- [CM1]** LOWEST CABLE TRAY WALL MOUNTED AT 75" [1905] OFF FINISHED FLOOR UNLESS NOTED OTHERWISE ON THE ELECTRICAL PLAN. CENT-R-RAIL, (E.G. COOPER B-LINE, MULTI-TIER HALF RACK STRAIGHT SECTION CAS-SB SPLICE HANGER, TRIPLE TIER, PART #C4A3M1206144, <http://www.cooperbline.com/product/PDFLibrary/CableTray/AllProducts/index.htm>
- [CM2]** CABLE RACEWAY WALL MOUNTED (3" [75] FROM UNDER-COUNTER SURFACE) 181-32009, SL3x2W MODULAR PK; 30' QTY. 1=30' [9144] 181-93011, TC3W MODULAR PK; 30' QTY. 1=30' [9144] PLACE OUTLETS 3" [75] BELOW RACEWAY. <http://www.hellerman.tyton.com/products.aspx?cat=168>
- [CM3]** NOT USED
- [CM4]** NOT USED
- [CM5]** VERTICAL CABLE MANAGEMENT SYSTEM (E.G. CABLOFIL LADDER TRAY CATALOG # 12-4F14-0012-12 page 116-117). http://www.nxtbook.com/nxtbooks/Cablofil/Legrand_catalog2010/#/116

- [PB1]** 12" x 36" x 14" PULL BOX, 2" [50] L-SHAPED ANGLED IRON TO BE MOUNTED PROTRUDING UP TO 1" FROM FINISH FLOOR ON INSIDE OF PERIMETER, BOX IN FLOOR SLAB, WATERPROOF.
- [PB2]** NOT USED
- [PB3]** 12" x 12" x 12" [300 x 300 x 300] PULL BOX IN FLOOR SLAB, RECESS 14" [356] FLUSH WITH PIT BASE, WATERPROOF.
- [PB4]** 8" x 8" x 8" [200 x 200 x 200] PULL BOX IN FLOOR SLAB, WATERPROOF.
- [PB5]** 12" x 12" x 8" [300 x 300 x 200] PULL BOX MOUNTED BELOW CONCRETE CEILING.
- [PB6]** NOT USED
- [PB7]** NOT USED
- [PB8]** 24" x 24" x 24" [600 x 600 x 600] PULL BOX, 1/4" STEEL LID CUSTOM CUT SEE 1/CK-E4, IN FLOOR SLAB, WATERPROOF.
- [JB1]** 4" [100] JUNCTION BOX, 48" [1220] ABOVE FINISHED FLOOR FOR TREATMENT MANIPULATOR TEACH PENDANT.
- [JB2]** 4" [100] JUNCTION BOX, 48" [1220] ABOVE FINISHED FLOOR FOR ROBOCOUCHE SYSTEM MODULE.

CONDUIT LEGEND

- [C1]** (1) 4"Ø [100] CONDUIT MOUNTED 48" AFF THROUGH WALL TO CM2 UNDER COUNTERTOP SEE 8/CK-E4
- [C2]** (1) 6"Ø [150] CONDUIT MOUNTED BELOW CONCRETE CEILING @ 45 DEGREE ANGLE THRU WALL WHERE APPLICABLE.
- [C3]** (1) 2"Ø [50] CONDUIT IN FLOOR SLAB, WATERPROOF FROM PULL BOX (PB8) TO PULL BOX (PB4)
- [C4]** (2) 6"Ø [150] & (2) 4"Ø [100] CONDUIT IN FLOOR SLAB, WATERPROOF.
- [C5]** (1) 4"Ø [100] CONDUIT MOUNTED BELOW CONCRETE CEILING.
- [C6]** (1) 2"Ø [50] CONDUIT MOUNTED BELOW CONCRETE CEILING.
- [C7]** (1) 2"Ø [50] CONDUIT FROM PULL BOX (PB8) TO JUNCTION BOX (JB1)
- [C8]** (1) 2"Ø [50] CONDUIT FROM PULL BOX (PB3) TO JUNCTION BOX (JB2)
- [C9]** (1) 6"Ø [150] CONDUIT FROM PULL BOX (PB1) BOTTOM TO PULL BOX (PB3). IN-FLOOR, WATERPROOF.

ELECTRICAL NOTES

1. MAIN DISCONNECT (M.D.) CUSTOMER SUPPLIED AND INSTALLED IN EQUIPMENT ROOM. MAIN 480 VAC, 3-PHASE WITH GROUNDING (4 WIRE), 50 OR 60 HZ, SUPPLIED AT A MINIMUM OF 100 AMPS AND 55KVA. THE CUSTOMER POWER INPUT TO THE ACCURAY POWER DISTRIBUTOR UNIT (PDU) CAN RANGE FROM 200 VAC 3-PHASE TO 480 VAC 3-PHASE. PREFERENCE IS FOR HIGHER VOLTAGE CIRCUITS. CIRCUITS 380 VAC AND ABOVE SHOULD BE AT 100 AMPS. CIRCUITS AT 240 VAC AND BELOW SHOULD BE AT 150 AMPS. THE CYBERKNIFE SYSTEM DOES NOT USE A NEUTRAL LEG. A GROUNDING LUG IS TO BE PROVIDED BY THE ELECTRICAL CONTRACTOR WITH THE FOLLOWING SPECIFICATIONS: A 4 GAUGE LUG TERMINATING TO GROUNDED BUILDING STEEL OR EARTH, LOCATED WITHIN THE MAIN DISCONNECT. CONTACT SITE PLANNER IF 480 VAC SPECIFICATION CAN NOT BE ACHIEVED.
2. CUSTOMER INTERFACE BOX (CIB), CUSTOMER SUPPLIED AND INSTALLED IN EQUIPMENT ROOM. (WIEGMANN 16 GAUGE STEEL ENCLOSURE SC121204NK) CONTRACTOR SHALL ROUTE 2 # 18 CONDUCTORS IN 3/4" CONDUIT FOR THE FOLLOWING CIRCUITS TO NEW CIB:
 - E-STOP (EMO) SWITCHES CONNECTED IN SERIES (ACCURAY PROVIDED) @ 48" [122CM] FROM FINISH FLOOR
 - EMERGENCY POWER OFF (EPO) (ACCURAY PROVIDED) @ 48" [122CM] FROM FINISH FLOOR
 - DOOR INTERLOCK SWITCH (DI)
 - DOOR INTERLOCK KEY SWITCH (KS) (ACCURAY PROVIDED)
 - X-RAY WARNING LIGHT (WL) (ACCURAY CIB PROVIDES 24VDC FOR RELAY OPERATED LIGHT. 120 VAC ALSO NEEDS TO BE PRESENT FOR LIGHT OPERATION, MAX RELAY AMP. 100mA)
 - THE EPO, EMO'S AND THE KEYSWITCH WILL REQUIRE A SINGLE GANG SWITCH BOX AND STAINLESS STEEL COVER WITH 7/8" HOLE
3. ACCURAY DOES NOT PROVIDE CAMERA SYSTEMS, LASERS, INTERCOM OR MUSIC SYSTEMS. WE DO NOTE THAT ELECTRICAL PLANNING SHOULD TAKE INTO CONSIDERATION THE NEED FOR 120 VAC POWER, AS WELL AS, THE MEANS TO CONVEY LINE CONNECTIONS TO THEIR SYSTEMS IE: CONDUITS, J-BOXES, ETC..
4. THE EQUIPMENT ROOM NEEDS AT LEAST 2 FOURPLEX 120 VAC ELECTRICAL OUTLETS PLACED WITH REGARD TO ACCESSIBILITY. THE CONTROL AREA SHOULD HAVE AT LEAST ONE FOURPLEX ABOVE THE WORKSURFACE AND ONE BELOW SEE SHEET CK-E4-8.
5. ALL IN GROUND CONDUITS MUST BE WATERPROOF. ALL CONDUITS AND PULL BOXES WATERTIGHT; WITH NYLON PULL STRINGS PRE-FINISHED CLEARED OF ANY WATER OR DEBRIS BEFORE INSTALLATION DATE.

GENERAL NOTES

- 1) UNLESS OTHERWISE NOTED ALL DIAMETERS LISTED ARE INTERIOR DIAMETER DIMENSIONS.
- 2) UNLESS OTHERWISE NOTED ALL MATERIAL SUPPLIED & INSTALLED IS THE RESPONSIBILITY OF THE CUSTOMER. FOR A COMPLETE LIST OF ACCURAY SUPPLIED EQUIPMENT REFER TO THE SITE PLANNING GUIDE OR CONTACT THE ACCURAY SITE PLANNER.



ACCURAY INC.
1310 CHESAPEAKE TERRACE
SUNNYVALE, CA 94089
(408) 716-4600

PROJECT:
First Dayton C.C.
Kettering, OH

TITLE:
CyberKnife System
Electrical Plan
Schedule & Notes

SCALE: PAPER SIZE:
1/8"=1' 11x17"

REVISION: SHEET:
A 6 of 12

DRAWN BY:
TROY HAINES

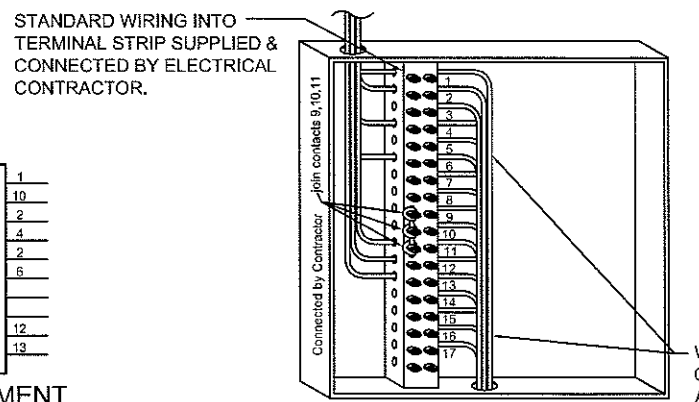
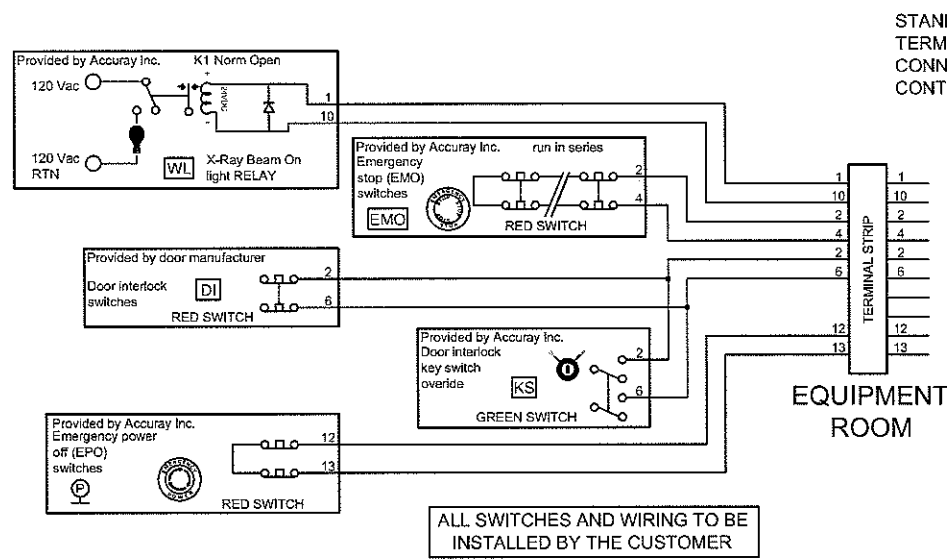
DATE:
08-02-2011

This document is for the use of Accuray's customers and their contractors. The information in this document is intended for the planning and preparation of the customer's construction documents and shielding studies.

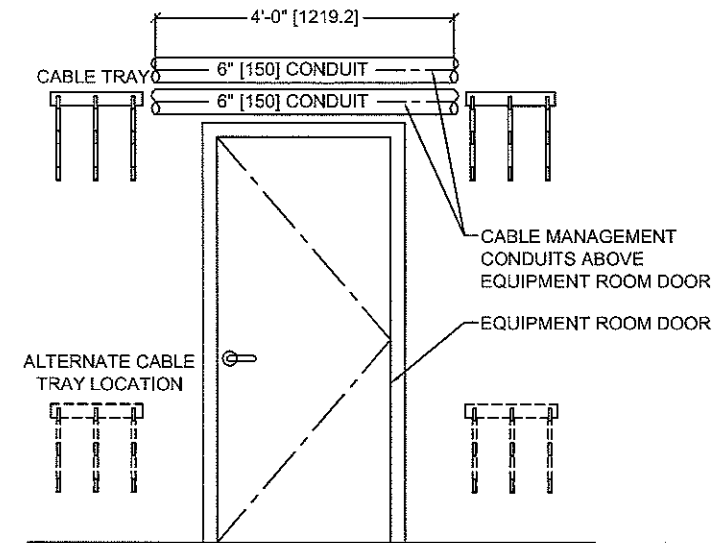
SHEET

CK-E2

ALL EQUIPMENT NOTED TO BE SUPPLIED & INSTALLED BY ELECTRICAL CONTRACTOR UNLESS OTHERWISE NOTED.



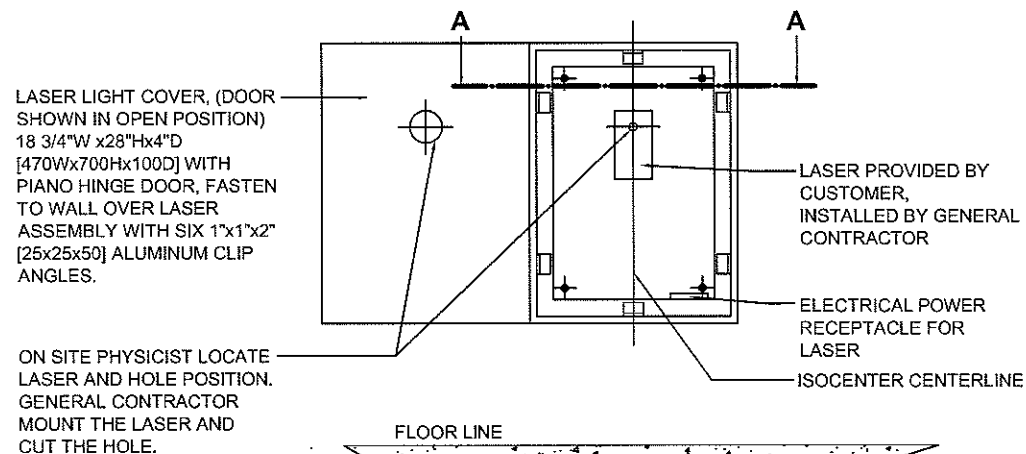
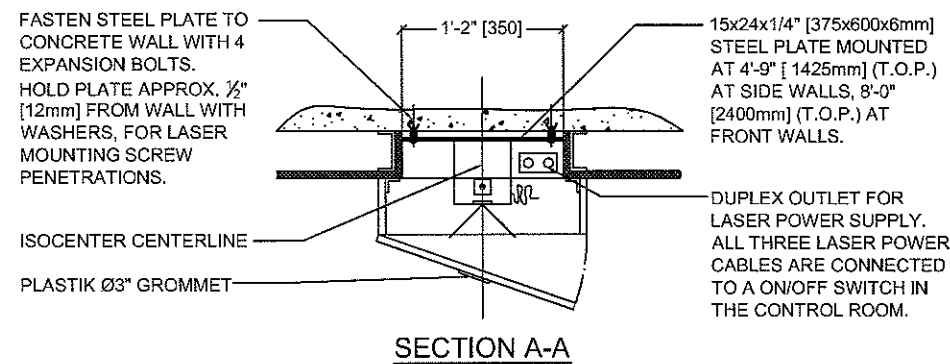
NOTE:
CUSTOMER INTERFACE BOX AND TERMINAL STRIP PROVIDED BY CONTRACTOR, WIEGMANN SC121206NK,
<http://www.hubbell-wiegmann.com/2001/pdf2001/A2.pdf>



4 STANDARD CYBERKNIFE WIRING DIAGRAM
E3 SCALE: N.T.S.

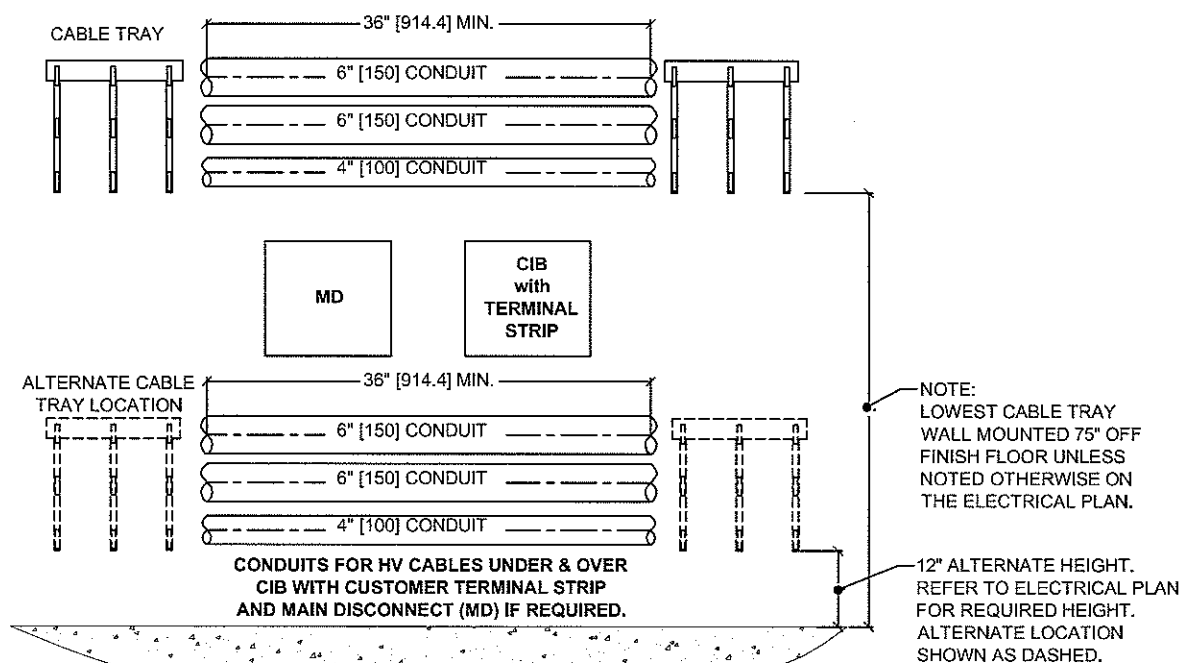
3 CUSTOMER INTERFACE BOX
E3 SCALE: N.T.S.

1 EQUIPMENT ROOM ELEVATION
E3 SCALE: N.T.S.



NOTE:
CONTRACTOR TO VERIFY LASER MANUFACTURER REQUIREMENTS WITH CUSTOMER FOR LASER & CABINET SIZE.

5 LASER DETAIL
E3 SCALE: N.T.S.



2 CONDUIT LOCATION DETAIL
E3 SCALE: N.T.S.

ACCURAY
ACCURAY INC.
1310 CHESAPEAKE TERRACE
SUNNYVALE, CA 94089
(408) 716-4600

PROJECT:
First Dayton C.C.
Kettering, OH

TITLE:
CyberKnife System
Electrical Plan
Electrical Details
& Notes

SCALE: PAPER SIZE:
1/8"=1' 11x17"

REVISION: SHEET:
A 7 of 12

DRAWN BY:
TROY HAINES

DATE:
08-02-2011

This document is for the use of Accuray's customers and their contractors. The information in this document is intended for the planning and preparation of the customer's construction documents and shielding studies.

SHEET
CK-E3

ALL EQUIPMENT NOTED TO BE SUPPLIED & INSTALLED BY ELECTRICAL CONTRACTOR UNLESS OTHERWISE NOTED.

ACCURAY
 ACCURAY INC.
 1310 CHESAPEAKE TERRACE
 SUNNYVALE, CA 94089
 (408) 716-4600

PROJECT:
 First Dayton C.C.
 Kettering, OH

TITLE:
 CyberKnife System
 Electrical Plan
 Equipment
 Details

SCALE: PAPER SIZE:
 1/8"=1' 11x17"

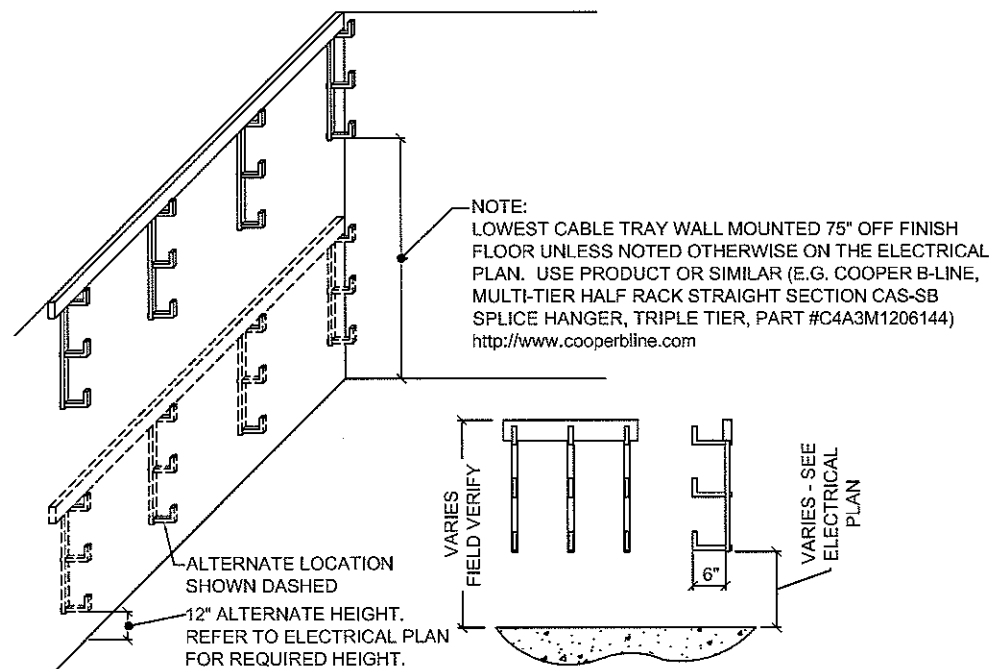
REVISION: SHEET:
 A 8 of 12

DRAWN BY:
 TROY HAINES

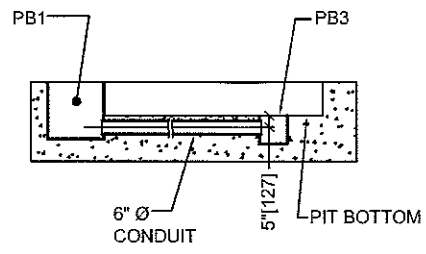
DATE:
 08-02-2011

This document is for the use of Accuray's customers and their contractors. The information in this document is intended for the planning and preparation of the customer's construction documents and shielding studies.

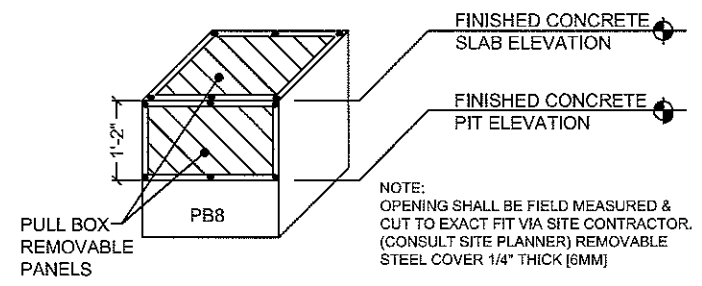
SHEET
CK-E4



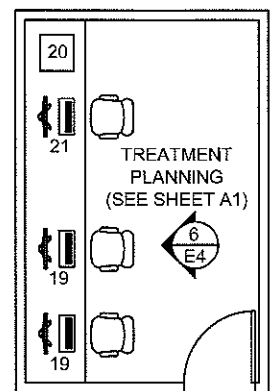
7
E4 J-HOOK TRAY ISOMETRIC
 SCALE: N.T.S.



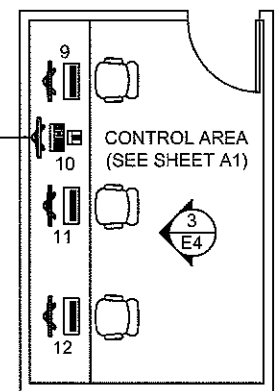
4
E4 PULL BOX ELEVATION
 SCALE: N.T.S.



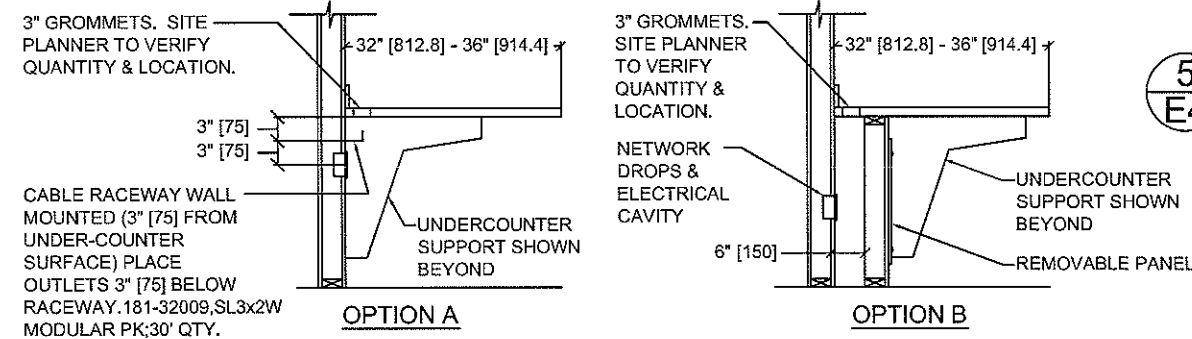
1
E4 PULL BOX COVER DETAIL
 SCALE: N.T.S.



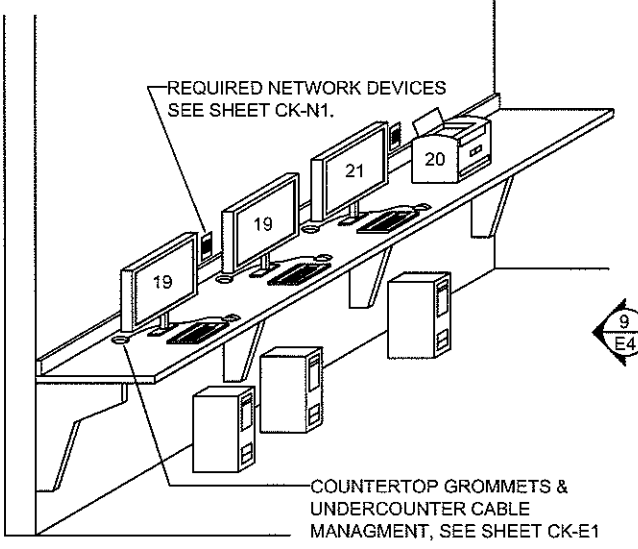
5
E4 TREATMENT PLANNING PLAN
 SCALE: N.T.S.



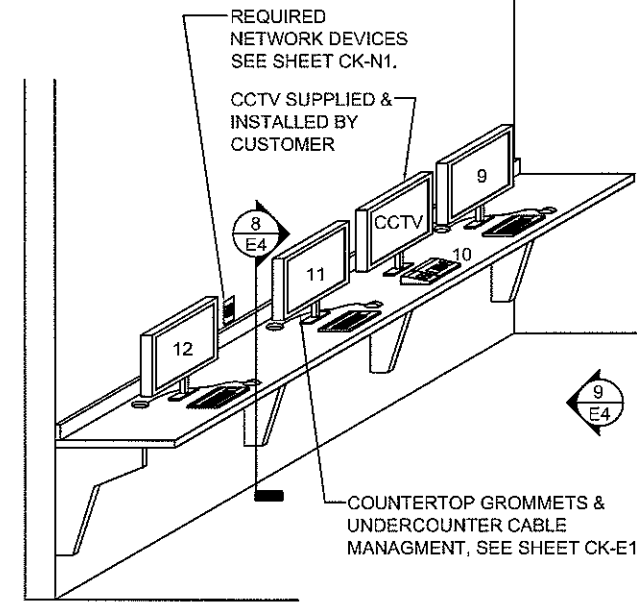
2
E4 CONTROL ROOM PLAN
 SCALE: N.T.S.



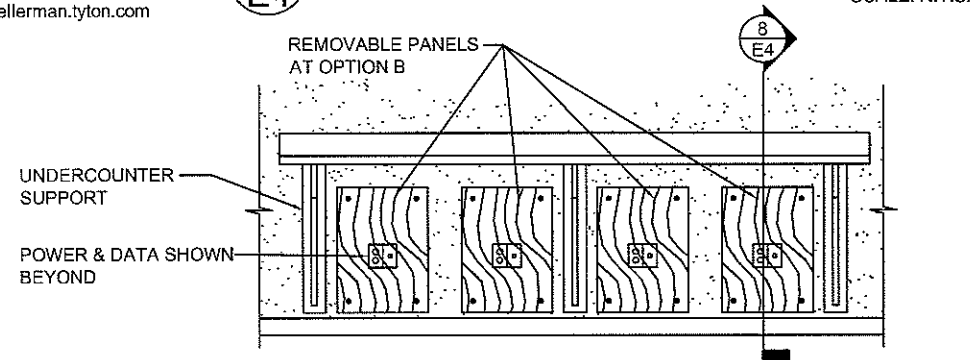
8
E4 SECTION
 SCALE: N.T.S.



6
E4 TREATMENT PLANNING ISOMETRIC
 SCALE: N.T.S.



3
E4 CONTROL ROOM ISOMETRIC
 SCALE: N.T.S.



9
E4 TREATMENT PLANNING & CONTROL ELEVATION
 SCALE: N.T.S.



ACCURAY™

ACCURAY INC.
1310 CHESAPEAKE TERRACE
SUNNYVALE, CA 94089
(408) 716-4600

PROJECT:
First Dayton C.C.
Kettering, OH

TITLE:
CyberKnife System
Pre - Installation Plan
Floor Pit

SCALE: 1/8"=1'
PAPER SIZE: 11x17"

REVISION: SHEET:
A 9 of 12

DRAWN BY:
TROY HAINES

DATE:
08-02-2011

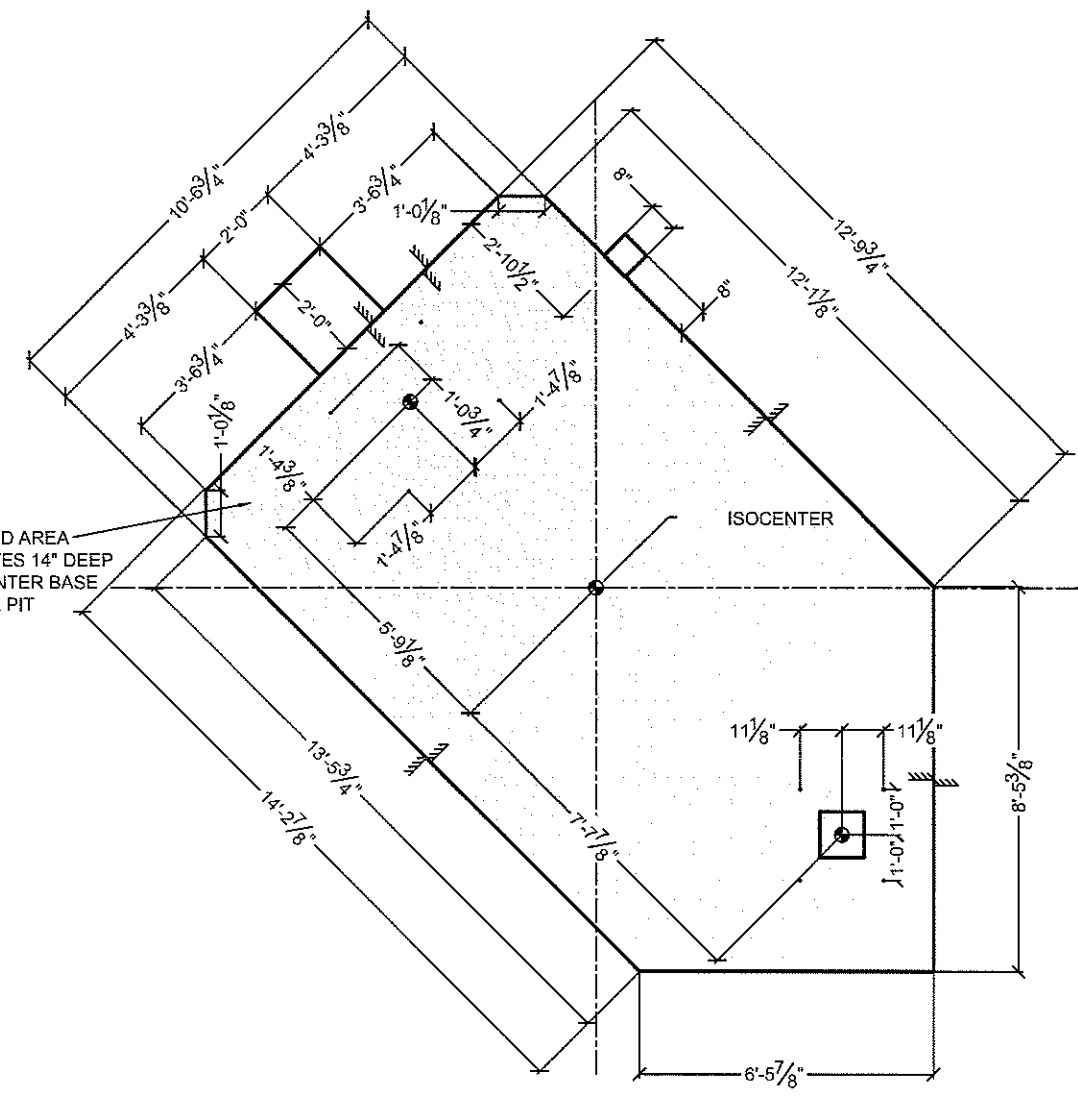
This document is for the use of Accuray's customers and their contractors. The information in this document is intended for the planning and preparation of the customer's construction documents and shielding studies.

SHEET

CK-S1

1 2 3 4 5 6 7 8 9 10 11 12 13 14 15 16

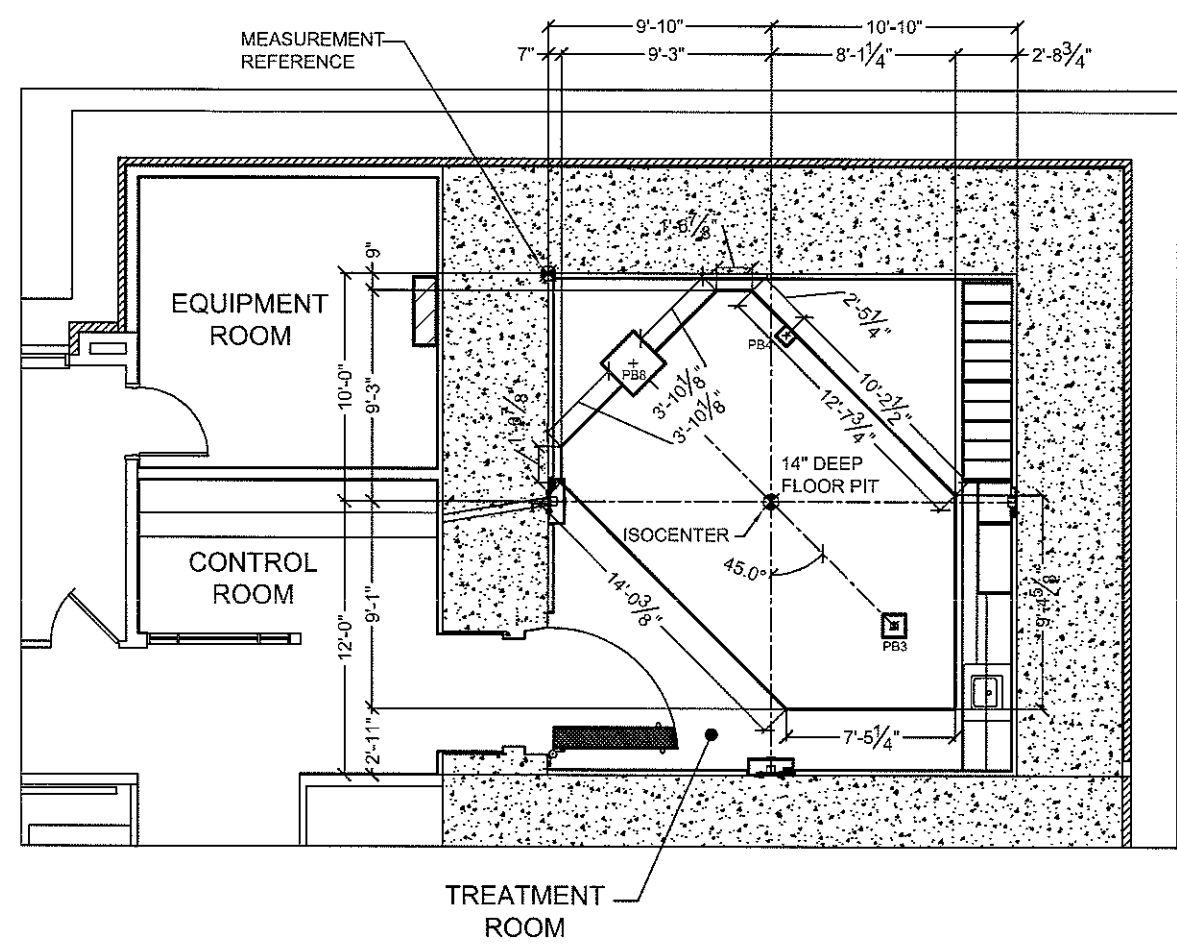
SHADED AREA DENOTES 14" DEEP ISOCENTER BASE FRAME PIT



2 FLOOR PIT PLAN
S1

SCALE: 1/4" = 1'-0"

MEASUREMENT REFERENCE



1 ISOCENTER & SUB BASE PLAN
S1

SCALE: 1/8" = 1'-0"

1 2 3 4 5 6 7 8 9 10 11 12 13 14 15 16



ACCURAY INC.
1310 CHESAPEAKE TERRACE
SUNNYVALE, CA 94089
(408) 716-4600

PROJECT:
First Dayton C.C.
Kettering, OH

TITLE:
CyberKnife System
Pre - Installation Plan
Bunker /
Pit Isometric

SCALE: PAPER SIZE:
1/8"=1' 11x17"

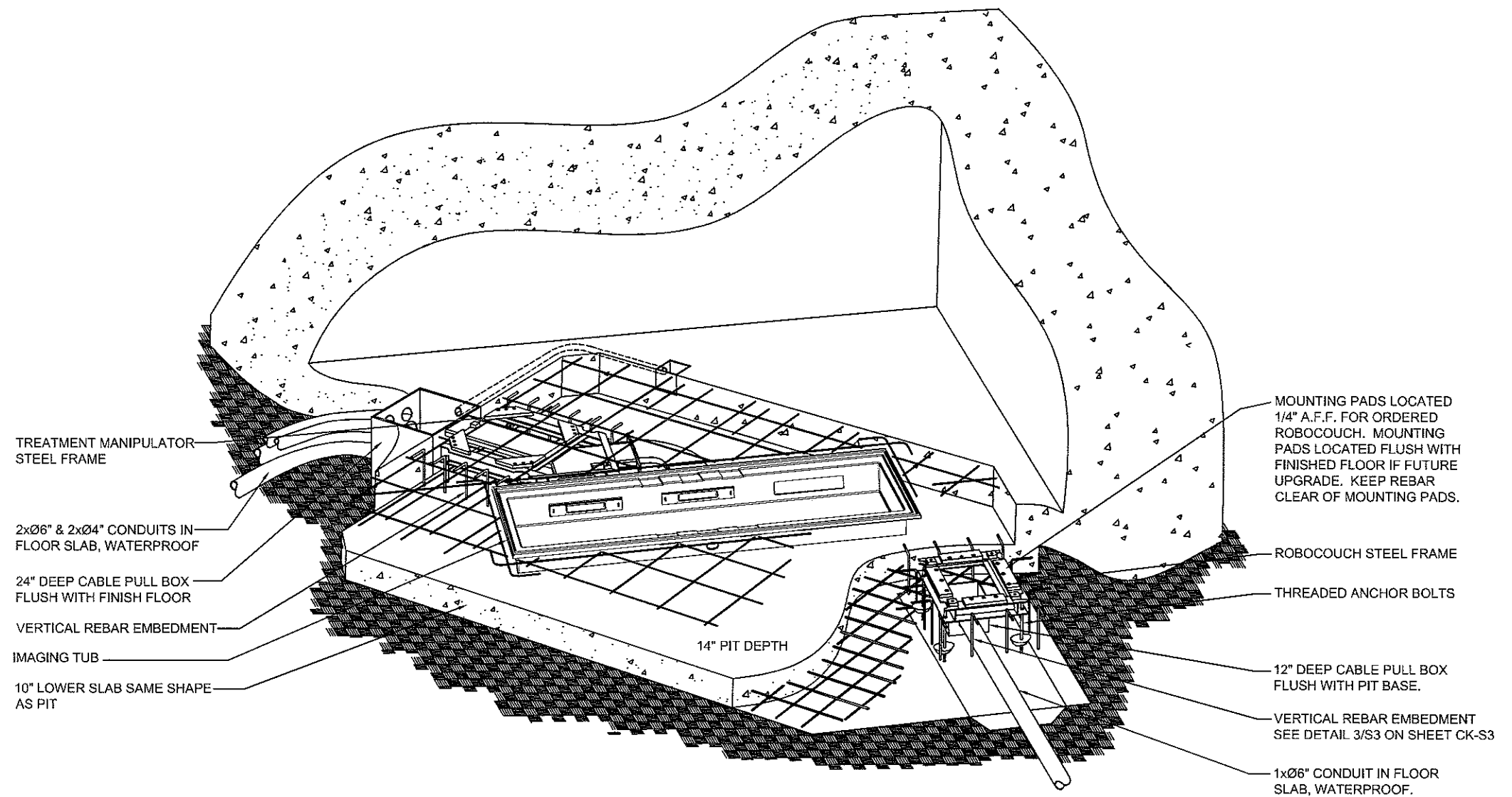
REVISION: SHEET:
A 10 of 12

DRAWN BY:
TROY HAINES

DATE:
08-02-2011

This document is for the use of Accuray's customers and their contractors. The information in this document is intended for the planning and preparation of the customer's construction documents and shielding studies.

SHEET
CK-S2



TREATMENT MANIPULATOR
STEEL FRAME

2x06" & 2x04" CONDUITS IN
FLOOR SLAB, WATERPROOF

24" DEEP CABLE PULL BOX
FLUSH WITH FINISH FLOOR

VERTICAL REBAR EMBEDMENT

IMAGING TUB

10" LOWER SLAB SAME SHAPE
AS PIT

14" PIT DEPTH

MOUNTING PADS LOCATED
1/4" A.F.F. FOR ORDERED
ROBOCOUCH. MOUNTING
PADS LOCATED FLUSH WITH
FINISHED FLOOR IF FUTURE
UPGRADE. KEEP REBAR
CLEAR OF MOUNTING PADS.

ROBOCOUCH STEEL FRAME

THREADED ANCHOR BOLTS

12" DEEP CABLE PULL BOX
FLUSH WITH PIT BASE.

VERTICAL REBAR EMBEDMENT
SEE DETAIL 3/S3 ON SHEET CK-S3

1x06" CONDUIT IN FLOOR
SLAB, WATERPROOF.

1 BUNKER / PIT ISOMETRIC
S2

SCALE: N.T.S.



ACCURAY™
 ACCURAY INC.
 1310 CHESAPEAKE TERRACE
 SUNNYVALE, CA 94089
 (408) 716-4600

PROJECT:
 First Dayton C.C.
 Kettering, OH

TITLE:
 CyberKnife System
 Pre - Installation Plan
 Lower Slab
 Rebar Plan

SCALE: PAPER SIZE:
 1/8"=1' 11x17"

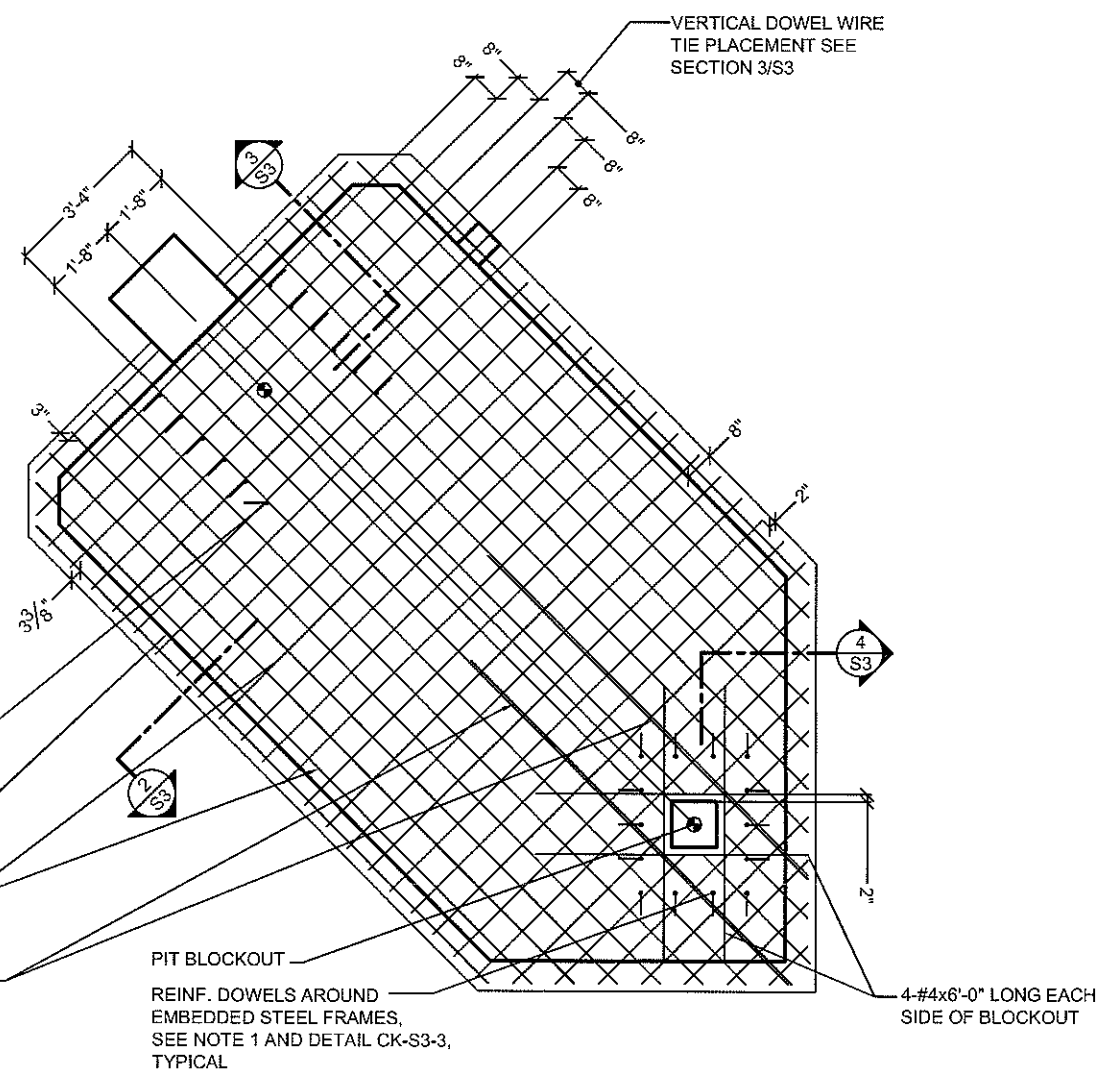
REVISION: SHEET:
 A 11 of 12

DRAWN BY:
 TROY HAINES

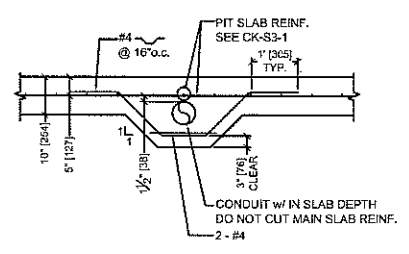
DATE:
 08-02-2011

This document is for the use of Accuray's customers and their contractors. The information in this document is intended for the planning and preparation of the customer's construction documents and shielding studies.

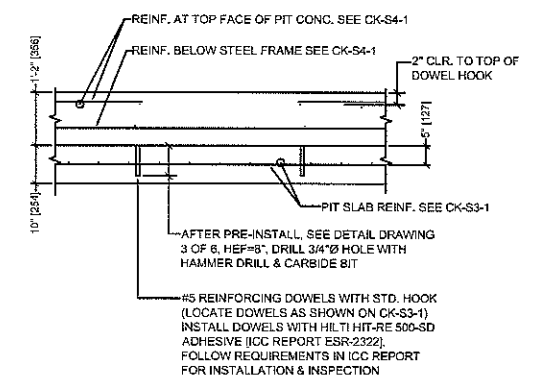
SHEET
CK-S3



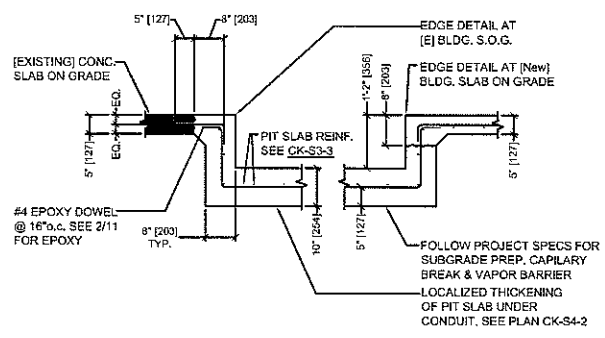
4 SECTION AT REINFORCED SLAB
 S3 SCALE: 1/4" = 1'-0"



3 SECTION AT EMBEDDED FRAME
 S3 SCALE: 1/4" = 1'-0"



2 MINIMUM SLAB PIT THICKNESS & REINFORCING
 S3 SCALE: 1/4" = 1'-0"



1 LOWER SLAB REBAR REINFORCEMENT & VERTICAL DOWELS EMBED.
 S3 SCALE: 1/4" = 1'-0"

ONE DOWEL ROTATED 45° TO ACCOMMODATE IMAGING TUB
 INTERIOR EDGE OF PIT, TYP.
 #5 @ 8" o.c. EACH WAY, CENTERED IN PIT SLAB [SEE NOTE 1 & NOTE 2]
 ADD'L 2-#4x10'-0" LONG EACH SIDE OF PIT BLOCKOUT

PIT BLOCKOUT
 REINF. DOWELS AROUND EMBEDDED STEEL FRAMES, SEE NOTE 1 AND DETAIL CK-S3-3, TYPICAL
 4-#4x6'-0" LONG EACH SIDE OF BLOCKOUT

NOTES:

- LAYOUT REINF. TO BE CLEAR OF LOCATIONS FOR DOWELING AFTER ROBOT FRAMES HAVE BEEN SET.
- SEE 4/S3 FOR CONDUIT WITHIN SLAB DEPTH AT ROBOCOUCH PIT BLOCKOUT.
- 3 DENOTES REFERENCED POINTS ON TREATMENT MANIPULATOR AND RCP EMBEDDED FRAMES.
- LAYOUT SLAB DOWELS +/- 1"

1 2 3 4 5 6 7 8 9 10 11 12 13 14 15 16

1 2 3 4 5 6 7 8 9 10 11 12 13 14 15 16

A
B
C
D
E
F
G
H
I
J

GENERAL NOTES

A. DISCLAIMER:

1. ANCHORAGE OF THE TREATMENT MANIPULATOR AND RCP TOWER ROBOTS TO THEIR RESPECTIVE EMBEDDED STEEL FRAMES, AS SHOWN, HAS BEEN REVIEWED BY RPSE AND FOUND TO MEET THE REQUIREMENTS OF THE 2007 CALIFORNIA BUILDING CODE. REVIEW OF THE TREATMENT MANIPULATOR AND RCP TOWER IS BEYOND THE SCOPE OF WORK FOR THIS PROJECT.
2. ACCEPTANCE OF RESPONSIBILITY FOR THESE SAMPLE ANCHORAGE AND FOUNDATION DETAILS IN NO WAY IMPLIES A WARRANTY AS TO ANY MODIFICATION IN DESIGN, MANUFACTURING, INSTALLATION OR OPERATION OF THE EQUIPMENT, AND NO PRODUCT LIABILITY IS ASSUMED THEREBY.
3. THESE SAMPLE CALCULATIONS ARE NOT TO BE SUBMITTED TO THE GOVERNING BUILDING ENFORCEMENT AGENCY FOR PLAN REVIEW. THE PURCHASER SHALL ENGAGE A QUALIFIED PROFESSIONAL ENGINEER TO REVIEW THE ANCHORAGE OF THE STEEL FRAME SYSTEM AND THE ADEQUACY OF THE FOUNDATION TO SUPPORT THE APPLIED LOADS FOR THE SPECIFIC INSTALLATION SITE AND PROVIDE INDEPENDENT ANCHORAGE AND FOUNDATION CALCULATIONS THAT MEET THE DESIGN REQUIREMENTS FOR THAT SITE.
4. THESE CALCULATIONS ARE FOR THE CONDITION WHERE THE TREATMENT SYSTEM COMPONENTS ARE LOCATED ON A FOUNDATION AT OR BELOW GRADE, NOT ON A SUSPENDED FLOOR SYSTEM.

A. GENERAL:

1. THE ROBOTS SHALL BE LOCATED AT OR BELOW GRADE.
2. THE EXISTING FLOOR SHOULD BE CONCRETE SLAB-ON-GRADE. IF THE EXISTING FLOOR IS A REINFORCED CONCRETE SUSPENDED SLAB OR A PRESTRESSED (PRE- OR POST-TENSIONED) SUSPENDED SLAB, THE OWNER'S ENGINEER SHOULD DETERMINE IF THE EQUIPMENT FOUNDATION AND ANCHORAGE SCHEME IS VALID FOR THE EXISTING CONDITION AND WHAT MODIFICATIONS AND/OR STRENGTHENING OF THE EXISTING FLOOR IS REQUIRED TO ACCOMMODATE THE PARTIAL DEMOLITION OF THE FLOOR SLAB FOR THE EQUIPMENT INSTALLATION.

A. FOUNDATION:

1. A GEOTECHNICAL ENGINEER SHALL INSPECT THE SOIL TO VERIFY THE ABILITY OF THE SOIL TO SUPPORT THE CBC MINIMUM 1,500 PSF ALLOWABLE SOIL BEARING PRESSURE BENEATH THE NEW PIT SLAB. IF THE CONDITION OF THE EXISTING SOIL IS NOT ADEQUATE, THE SOIL SHALL BE PREPARED PER THE GEOTECHNICAL ENGINEER'S REQUIREMENTS TO MEET THE DESIRED BEARING PRESSURE.
2. THE ARCHITECT SHALL REVIEW THE EXISTING SUB-GRADE WATERPROOFING AND SPECIFY ANY ADDITIONAL WATERPROOFING REQUIREMENTS FOR THE NEW INSTALLATION.

A. CONCRETE:

1. COMPLY WITH THE OSHPD PROVISIONS OF CHAPTER 19 OF THE CALIFORNIA BUILDING CODE (CBC), AND ACI 318 "BUILDING CODE REQUIREMENTS FOR REINFORCED CONCRETE."
2. MATERIALS:
CONCRETE STRENGTH: $f_c = 3,000$ PSI @ 28 DAYS
REINFORCED STEEL: ASTM A615, GRADE 60

A. EPOXY DOWELS:

1. EPOXY DOWELS SHALL BE INSTALLED WITH HILTI HIY-RE 500-SD ADHESIVE. INSTALL DOWELS PER MANUFACTURER'S RECOMMENDATIONS AND ICC REPORT ESR-2322 REQUIREMENTS. SPECIAL INSPECTION PER THE REQUIREMENTS OF THE ICC REPORT IS REQUIRED.



ACCURAY INC.
1310 CHESAPEAKE TERRACE
SUNNYVALE, CA 94089
(408) 716-4600

PROJECT:
First Dayton C.C.
Kettering, OH

TITLE:
CyberKnife System
Pre - Installation Plan
Pit Infill
Rebar Plan

SCALE: PAPER SIZE:
1/8"=1' 11x17"

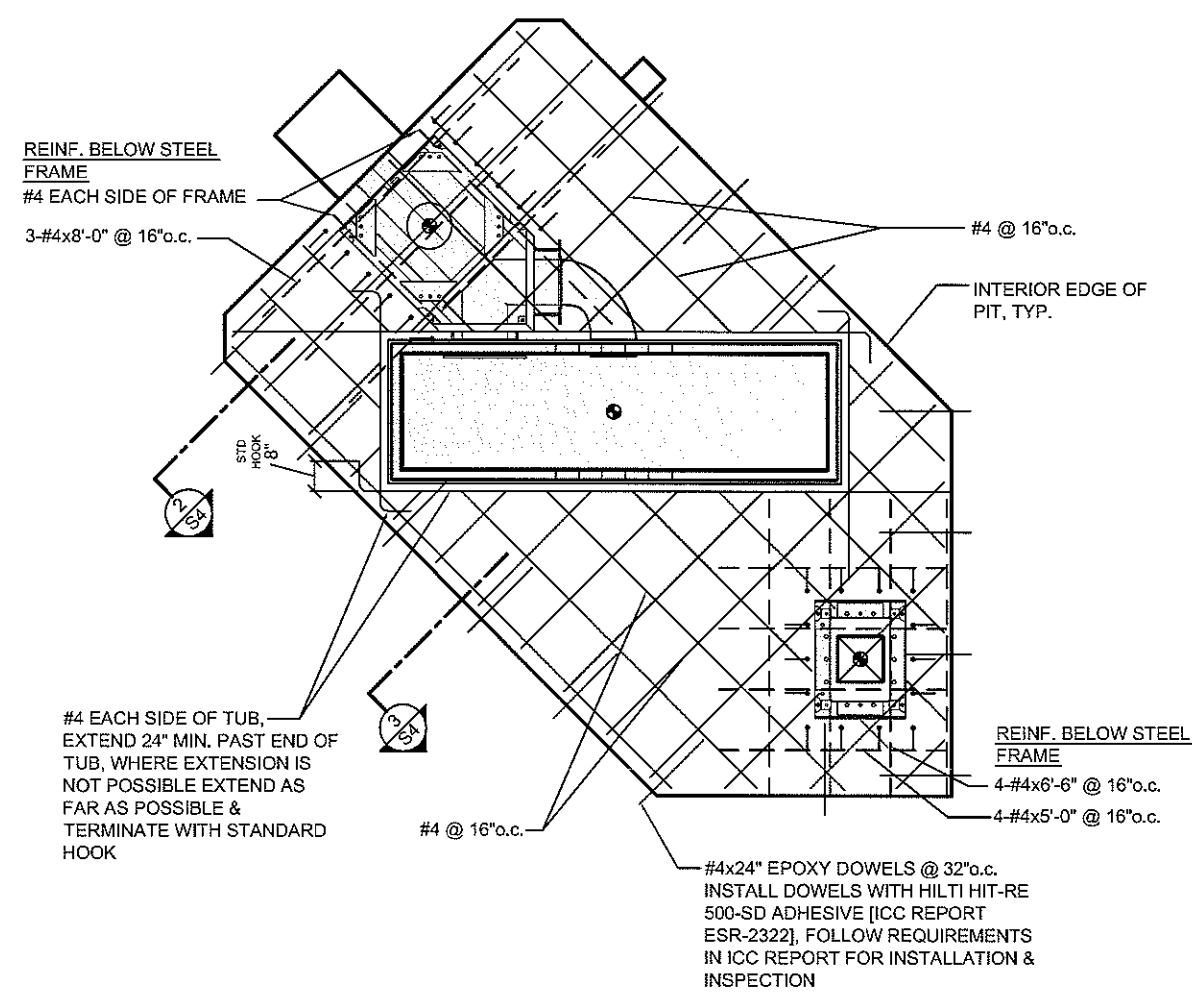
REVISION: SHEET:
A 12 of 12

DRAWN BY:
TROY HAINES

DATE:
08-02-2011

This document is for the use of Accuray's customers and their contractors. The information in this document is intended for the planning and preparation of the customer's construction documents and shielding studies.

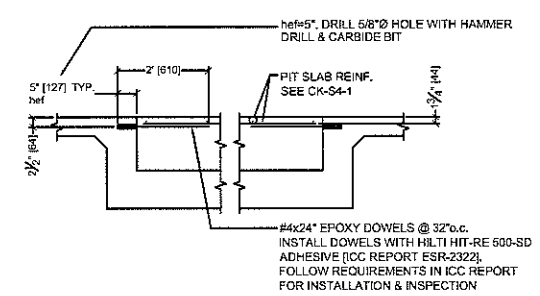
SHEET
CK-S4



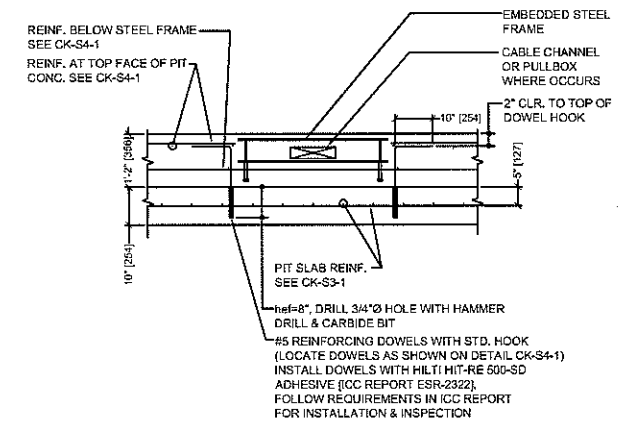
NOTES:

1. DENOTES REFERENCE POINTS ON TREATMENT MANIPULATOR AND RCP EMBEDDED FRAMES, AND IMAGING TUB.
2. OUTLINE OF PIT SLAB BELOW NOT SHOWN.

1 S4 PIT INFILL REBAR REINFORCEMENT
SCALE: 1/4" = 1'-0"



3 S4 REINFORCEMENT FOR PIT INFILL
SCALE: 1/4" = 1'-0"



2 S4 SECTION AT EMBEDDED FRAME
SCALE: 1/4" = 1'-0"